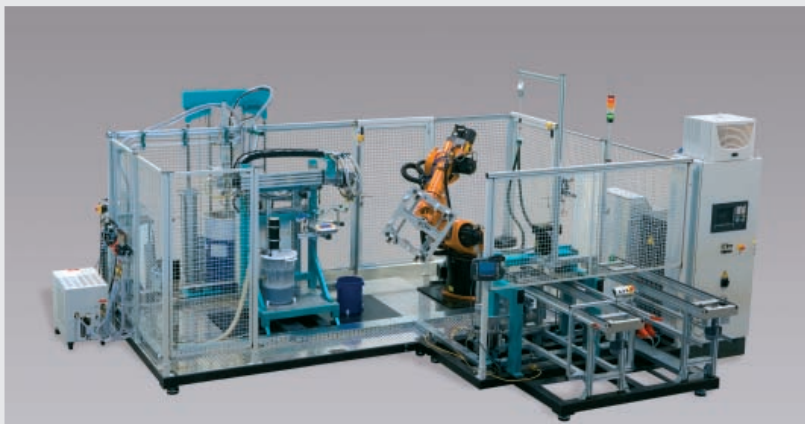
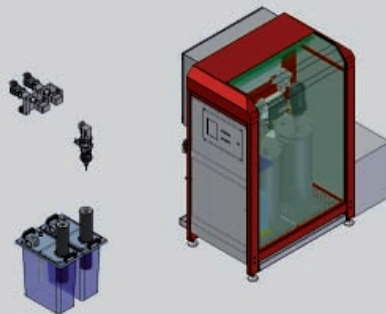


## Product Information C-DS

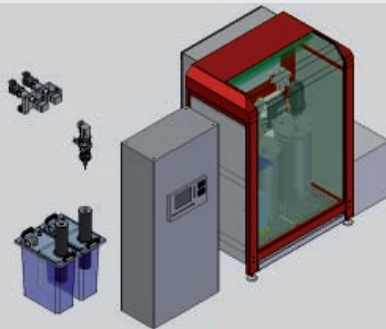
The Dispensing System that adapts to your requirements



C-DS+ with 6-axis robot



Basic version C-DS



Basic version C-DS+

### Your advantages

Meets your individual requirements: for manual operation, integration into your production line or as fully automated robot cell.

#### » Compact design

- Common base frame for controls and material conditioning. Also available with complete housing

#### » Highly flexible

- Metering pumps and mixing system can be integrated into existing handling units
- Available with all RAMPF metering and mixing systems

#### » PLC controls

- Siemens S7 PLC with OP77 user panel
- Digital interface to the line PLC

#### » Integrated process monitoring

- Permanent monitoring of pressure, temperature and material level
- Graphic process visualization in combination with OP010/012 colour panel

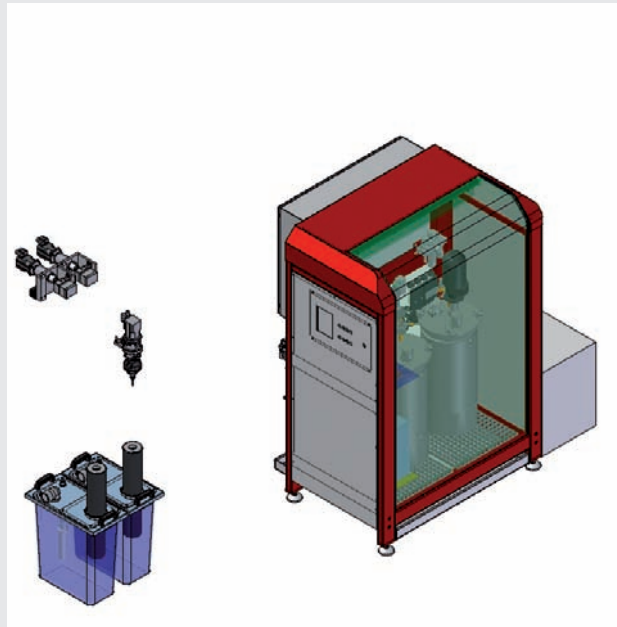


**RAMPF**<sup>®</sup>  
discover the future

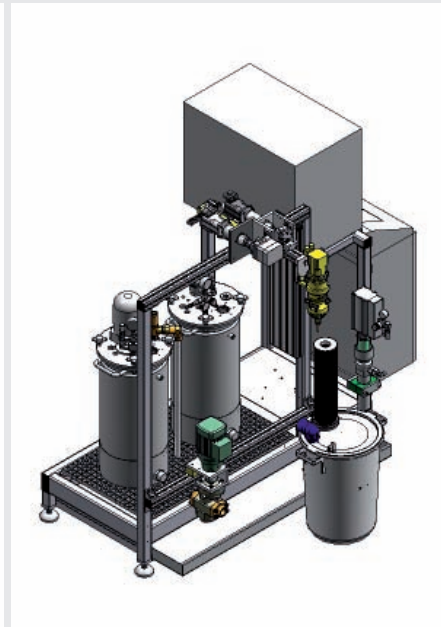
# Compact Dispensing System C-DS

## Product details

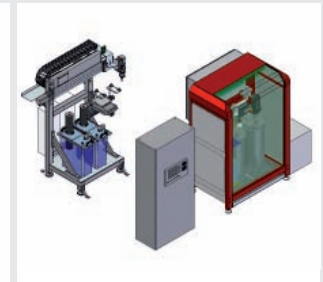
The compact dispensing system C-DS is designed for processing 1K or 2K adhesives, resins and sealants. It has been specially developed for integration into handling units (linear axis, 6-axis robots) and comes with all features required to process 2K foam gasket materials. The system consists of material conditioning, metering and mixing unit, and PLC controls. The modular design simplifies the integration into existing production lines.



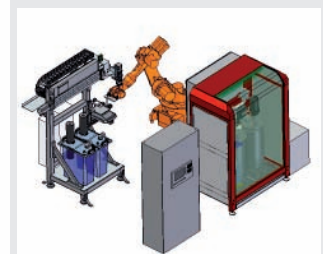
Basic version C-DS



C-DS with manually guided mixing head, without housing



C-DS+ with linear axis



C-DS+ with linear axis and 6-axis robot

## Technical Data (subject to change)

	C-DS	C-DS+
Dispensing capacity, Mixing ratio, etc.	Depending on installed mixing system	
Number of components	1 – 2	1 – 4
Weight	Approx. 600 kg	Approx. 700 kg
Control	Siemens S7-300 (313C) with control panel OP077	Siemens S7-300 (314C) with control panel OP010/012
Dispensing programs	Max. 49	Max. 49
Electrical supply	3 x 400 V / 50Hz; 16A	3 x 400 V / 50Hz; 16A
Electrical consumption	Approx. 9 kw	Approx. 11 kw
Compressed air supply	> 5 bar at max. flow rate 800 l/min.	> 5 bar at max. flow rate 800 l/min.
Compressed air consumption	5 – 20 l/min.	5 – 20 l/min.
Color	RAL 7035/3002	RAL 7035/3002



C-DS with manually guided mixing head



C-DS+ for 5 components

### Options (more on request)

	C-DS	C-DS+
HP rinse recycling system or HP water rinsing systems	X	X
Nucleation controller for air load controls of gasket materials	Max. 1	Max. 2
Material transfer station with el. agitator	Max. 1	Max. 2
Automatic thin-layer degassing system for bubble-free potting	Siemens S7-300 (-313C)	X
Material recirculation system	Max. 2	Max. 3
Tank agitators	Max. 1	Max. 2
Temperature controller	X	X
Linear pneumatic axis (4 positions max.)	X	X
Servo driven linear axis	-	X
Roller cover for material tanks	X	X
Process monitoring via:	Level control max. 2 Pressure monitoring max. 2 Electronic scale	All options available, no limitation
Can be integrated into all available handling systems via digital I/O interface	X	X
Profibus connection	-	X
Control panel OP 010/012	-	X
Individual visualization	-	X
Extended PLC functions for controls of peripherals	-	X
Modem for tele-diagnostics	X	X

# RAMPF Dosiertechnik worldwide.



Version 2007/07. Errors excepted. Subject to change.

### **RAMPF Group Japan, K. K.**

Oriental Shin-Osaka Building 7F  
Nishinakajima 7-1-26, Yodogawa-ku  
Osaka, 532-0011, Japan  
T +81-(0)-66101-0769  
F +81-(0)-66101-0770  
E info@rampf-group.jp

### **RAMPF Group, Inc.**

P.O. Box 930 352  
50714 Century Ct.  
Wixom, Mi 48393, USA  
T +1-(248)-295 0223  
F +1-(248)-295 0224  
E info@rampf-group.com  
www.rampf-group.com

### **World-wide distribution:**

A list of our world-wide distributors  
and news can be found under:  
[www.rampf-dosiertechnik.com](http://www.rampf-dosiertechnik.com)

### **RAMPF (Taicang) Co., Ltd.**

Taicang Economy Development Area  
No. 8 North Lou Jiang Road,  
Taicang 215400, Jiangsu Province  
P.R.China  
T +86 (0)512 5328 5051  
F +86 (0)512 5328 5060  
E info@rampf-group.com.cn  
www.rampf.com.cn

Headquarters  
**RAMPF Dosiertechnik GmbH & Co. KG**  
Römerallee 14  
78658 Zimmern o. R.

T + 49 (0) 741 2902-0  
F + 49 (0) 741 2902-2100  
E info@rampf-dosiertechnik.de  
www.rampf-dosiertechnik.de



**RAMPF**<sup>®</sup>  
discover the future