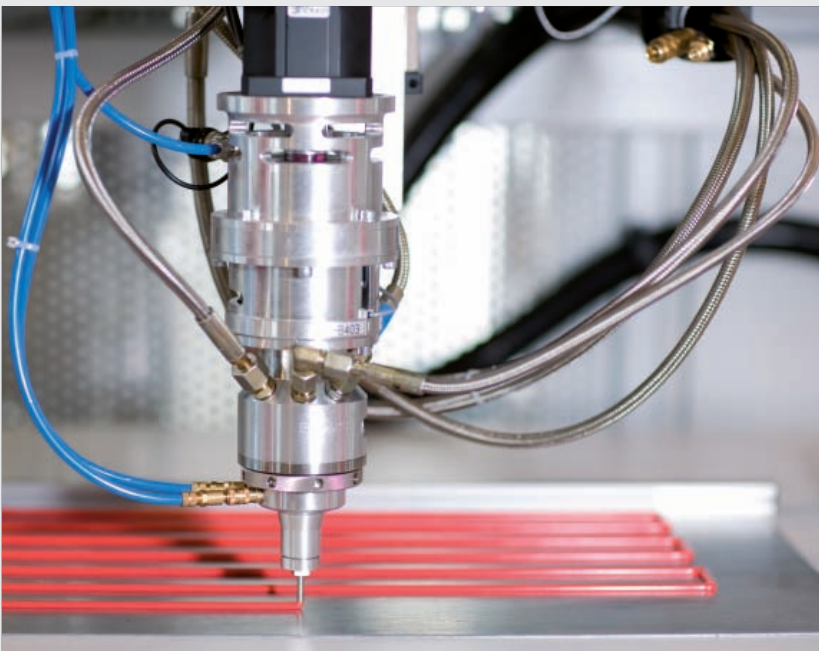


Product Information Mixing System MS-C

Precision in every part – dynamic Sealing, Encapsulating and Bonding



Your advantages

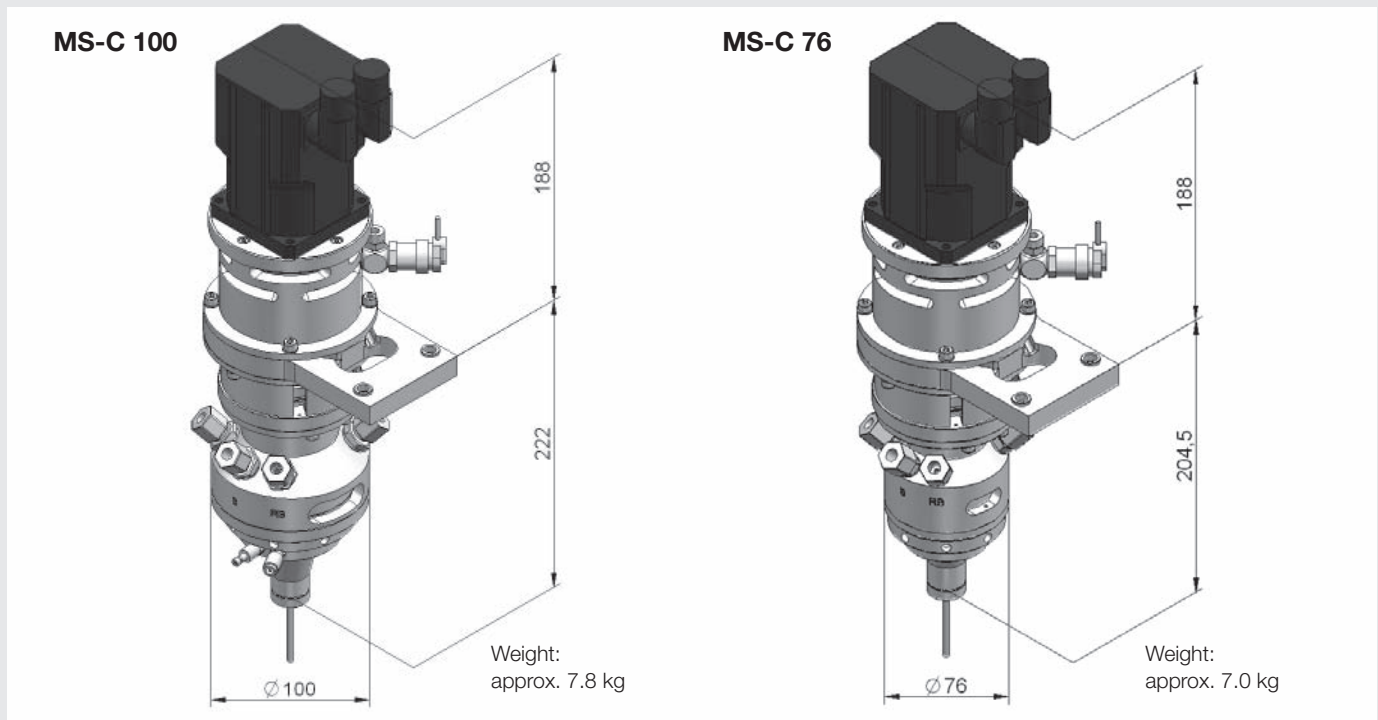
- » **Low maintenance**
 - Wear-resistant ceramic valve system
 - Separated valve and mixing section
 - Servo motor for mixer and valves
- » **High precision**
 - No material displacement during at start/stop of dispensing
 - Precise, synchronous switching over of the ceramic valve discs
- » **High flexibility**
 - Cleaning of the mixing systems with HP-pressure water rinsing or HP-cleaning agent circulation system
 - Up to 3 components processable
 - 2 components with recirculation through the mixing system
 - Mixing chamber available in different sizes
- » **Low operation costs**
 - Short maintenance times
 - Quick and easy change of mixer for faster cleaning
 - Only a few parts in contact with processed material



Mixing System MS-C

Product Details

The MS-C is a compact, dynamic mixing system for precise meter, mix and dispensing. With a revolutionary, servo driven ceramic valve system the MS-C sets new standards in productivity and reliability. The lean and compact design guarantee a higher degree of flexibility and allow the dispensing of complex parts and applications. The simple modular design and the consequent separation of valve level and mixing chamber level makes the MS-C the most maintenance friendly mixing system available on the market. If required the MS-C can be equipped with an automatic nozzle shut off system which allows drop-free dispensing.



Technical Data (subjects to change)

Dispensing capacity MS-C 76	Approx. 0,3 g/s – 2,5 g/s
Dispensing capacity MS-C 100	Approx. 2 g/s – 120 g/s
Number of components	2 – 3 components
Viscosities	50 - 200.000 mPa*s (higher viscosities on request)
Recirculation through mixing system	Max. 2 components

Options (more upon request)

- » Different mixing chamber volumes available
- » Different nozzle sizes available
- » Temperature controlled mixing chamber
- » Nozzle shut off system
- » Additional material components
- » Pressure rinsing nozzles on different levels

