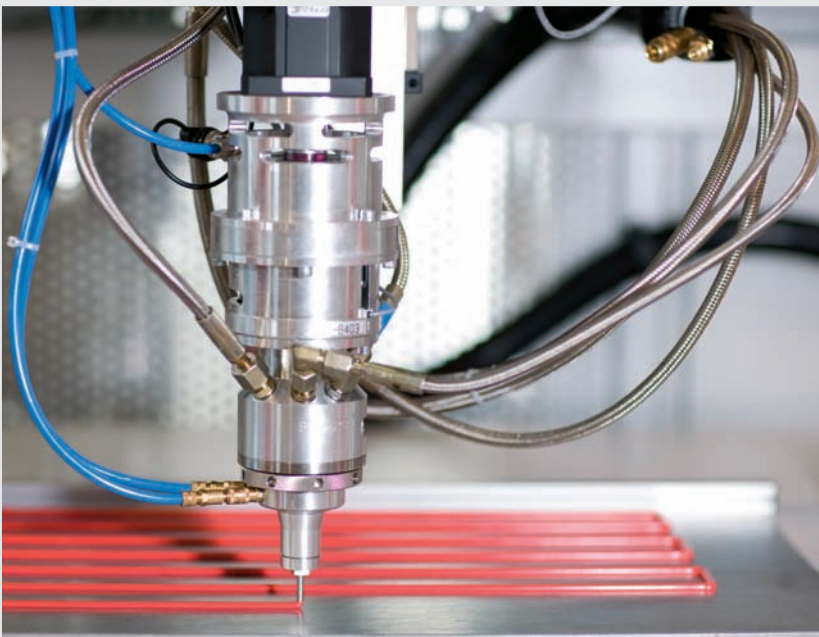


Product Information Mixing System MS-C

Precision in every part – dynamic Sealing, Encapsulating and Bonding



Your advantages

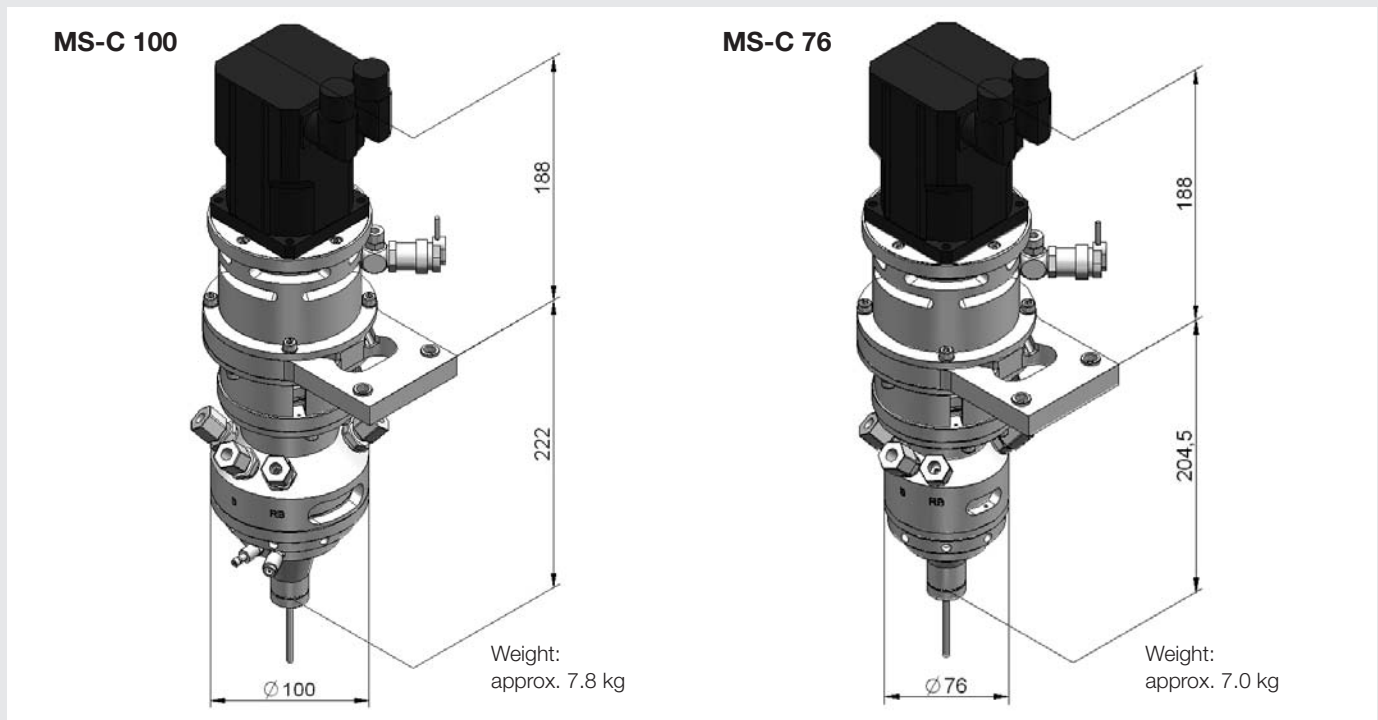
- » **Low maintenance**
 - Wear-resistant ceramic valve system
 - Separated valve and mixing section
 - Servo motor for mixer and valves
- » **High precision**
 - No material displacement during start/stop of dispensing
 - Precise, synchronous switching of the ceramic valve discs
- » **High flexibility**
 - Cleaning of the mixing systems with HP-pressure water rinsing or HP-cleaning agent circulation system
 - Up to 3 components processable
 - 2 components with recirculation through the mixing system
 - Mixing chamber available in different sizes
- » **Low operation cost**
 - Short maintenance times
 - Quick and easy change of mixer for faster cleaning
 - Only few parts in contact with processed material



Mixing System MS-C

Product Details

The MS-C is a compact, dynamic mixing system for precise metering, mixing and dispensing. With a revolutionary, servo driven ceramic valve system the MS-C sets new standards in productivity and reliability. The lean and compact design guarantees a higher degree of flexibility and allows dispensing of complex parts and applications. The simple modular design and the consequent separation of valve level and mixing chamber level makes the MS-C the most maintenance-friendly mixing system available on the market. If required the MS-C can be equipped with an automatic nozzle shut-off system which allows drop-free dispensing.



Technical Data (subject to change)

Dispensing capacity MS-C 76	Approx. 0,3 g/s – 2,5 g/s
Dispensing capacity MS-C 100	Approx. 2 g/s – 120 g/s
Number of components	2 – 3 components
Viscosities	50 - 200.000 mPa*s (higher viscosities on request)
Recirculation through mixing system	Max. 2 components

Options (more upon request)

- » Different mixing chamber volumes available
- » Different nozzle sizes available
- » Temperature controlled mixing chamber
- » Nozzle shut-off system
- » Additional material components
- » Pressure rinsing nozzles on different levels

